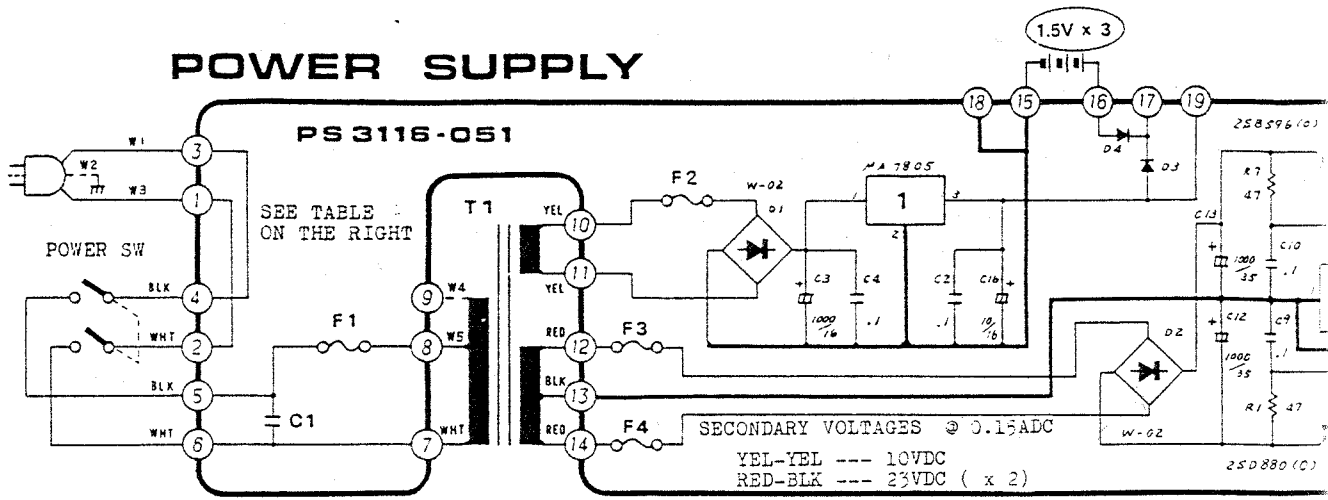
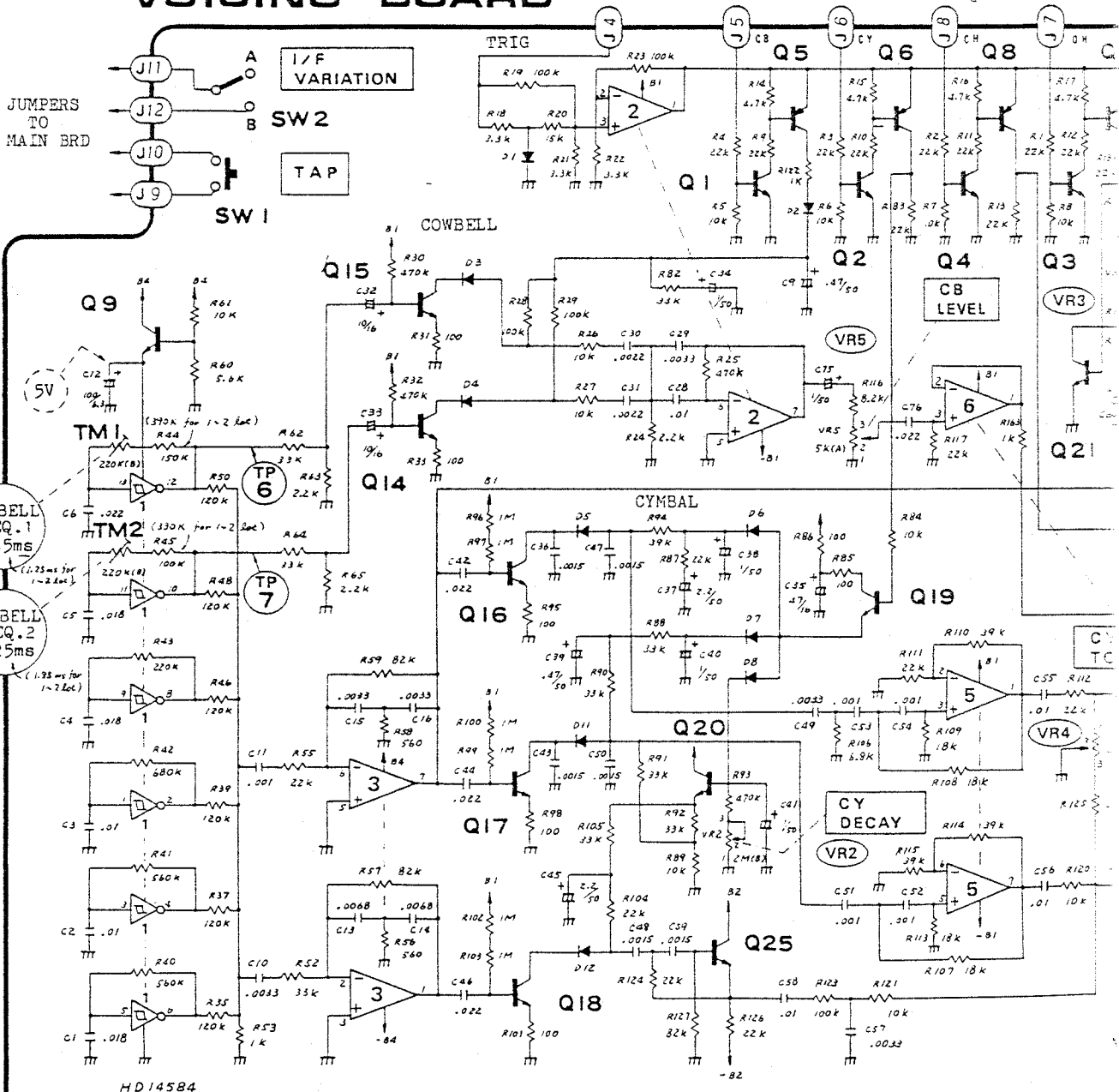


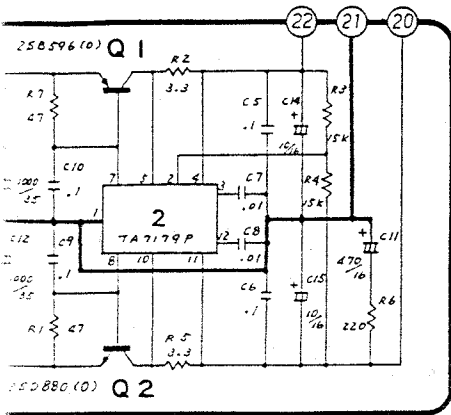
POWER SUPPLY



VOICING BOARD



JACK-B

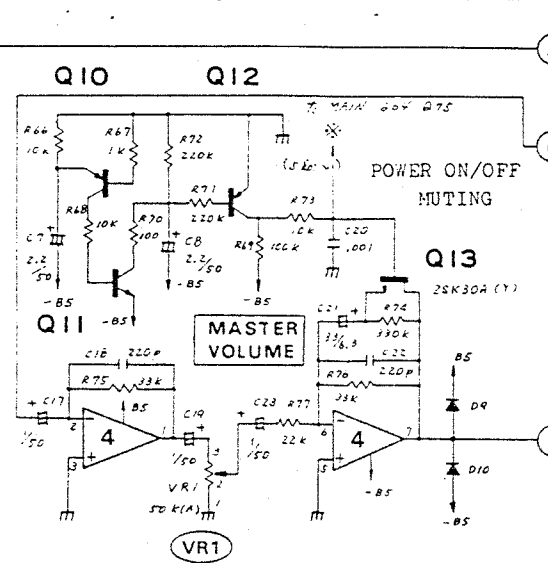
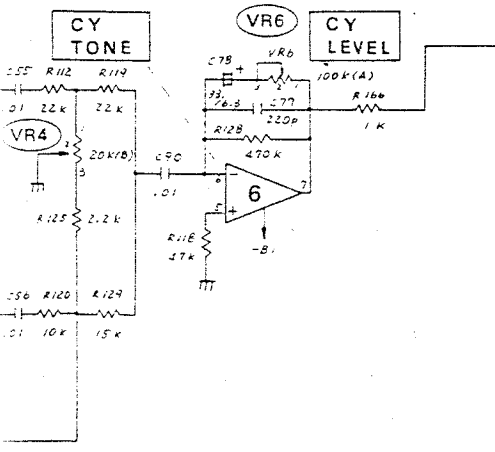
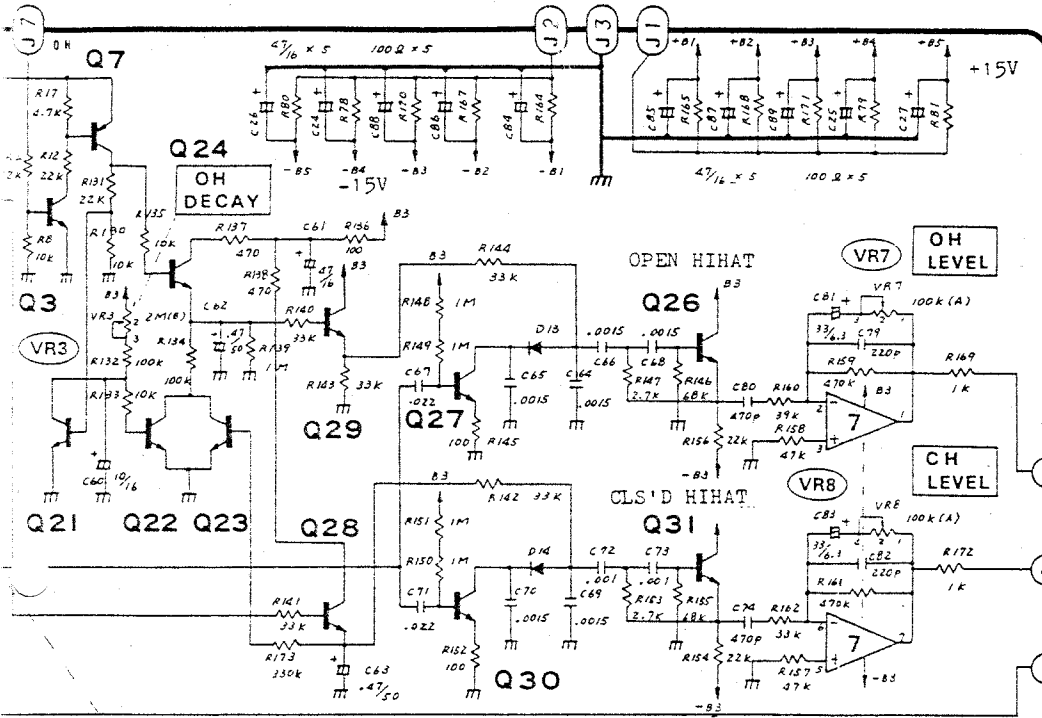
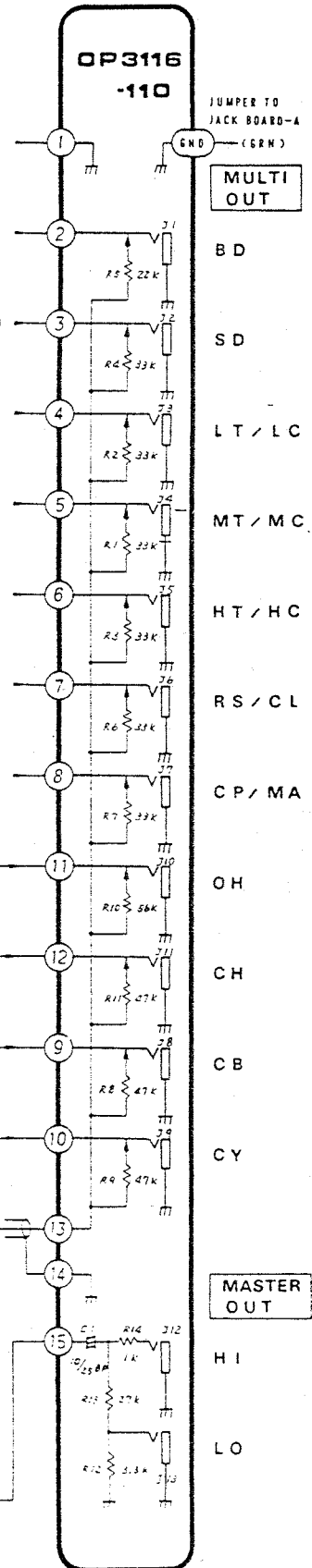


V	BOARD NO	T 1	POWER SW	C 1	F1-F4	W1	W2	W3	W4	W5
100	311	245-	506 SP	ECD-UC1A	SEA	BLK	WHT	BLU		
	-051	217ND	-661	473 MC	0.5 A					
117		218 CD				BLK	GRN	WHT	GRN	
220		219 Db	-502	ECD-U2A	CEE	BRN	GRN	BLU	RED	BRN
240				473 MF	250 MAT		GRN	BLU	BRN	RED
240	-054					BRN	GRN	BLU	BRN	RED
3P						BRN	GRN	BLU	BRN	RED

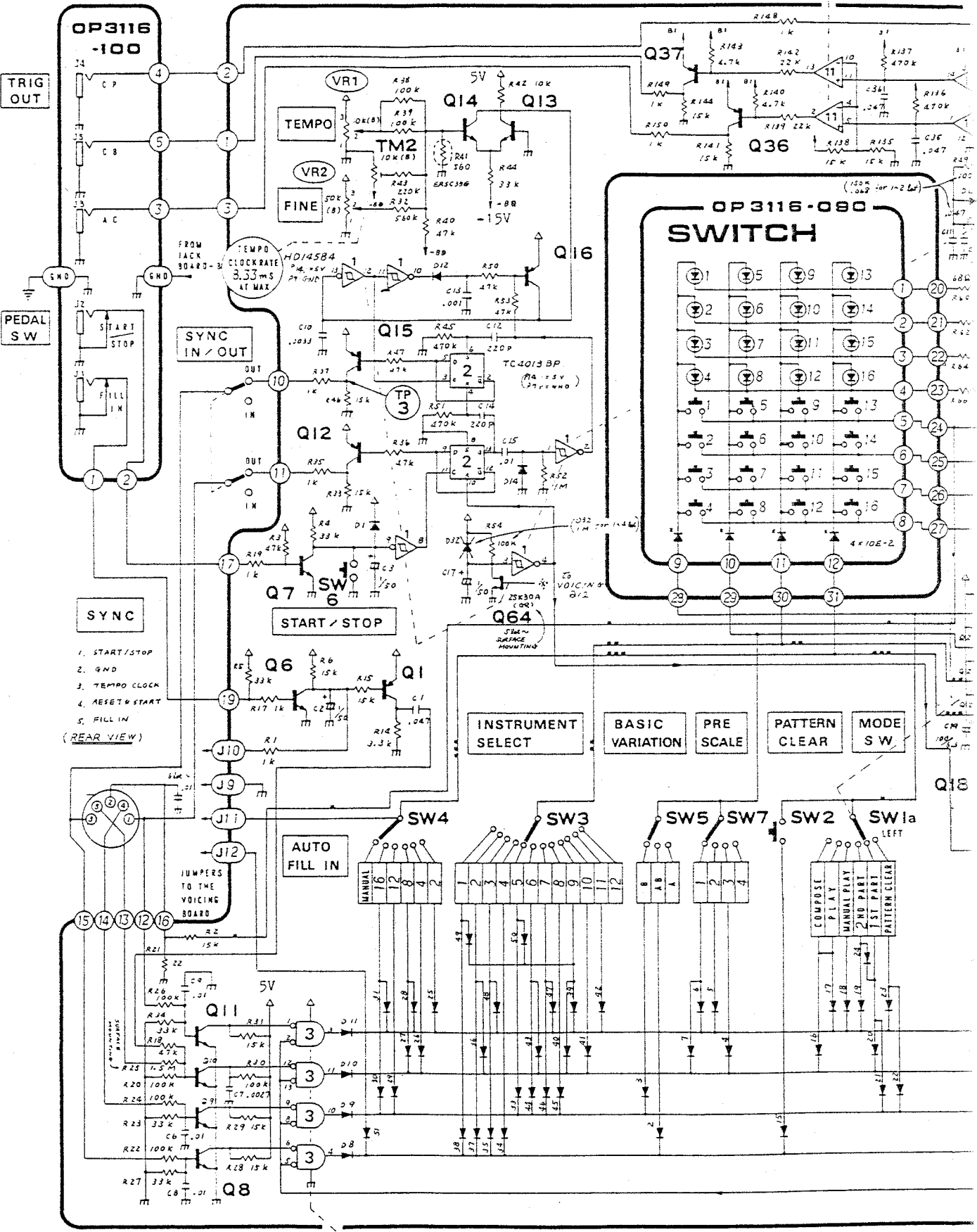
F2-F3 on later 100/117V versions

FRNB 10 ohm 1/4W (fusing resistor)

FROM MAIN BOARD



VG 3116-140



TRIG OUT

PEDAL SW

FROM JACK BOARD - B

TEMPO CLOCK RATE 3.33ms AT MAX

SYNC IN / OUT

SYNC

START / STOP

INSTRUMENT SELECT

BASIC VARIATION

PRE SCALE

PATTERN CLEAR

MODE SW

AUTO FILL IN

JUMPERS TO THE VOICING BOARD

SW4

SW3

SW5

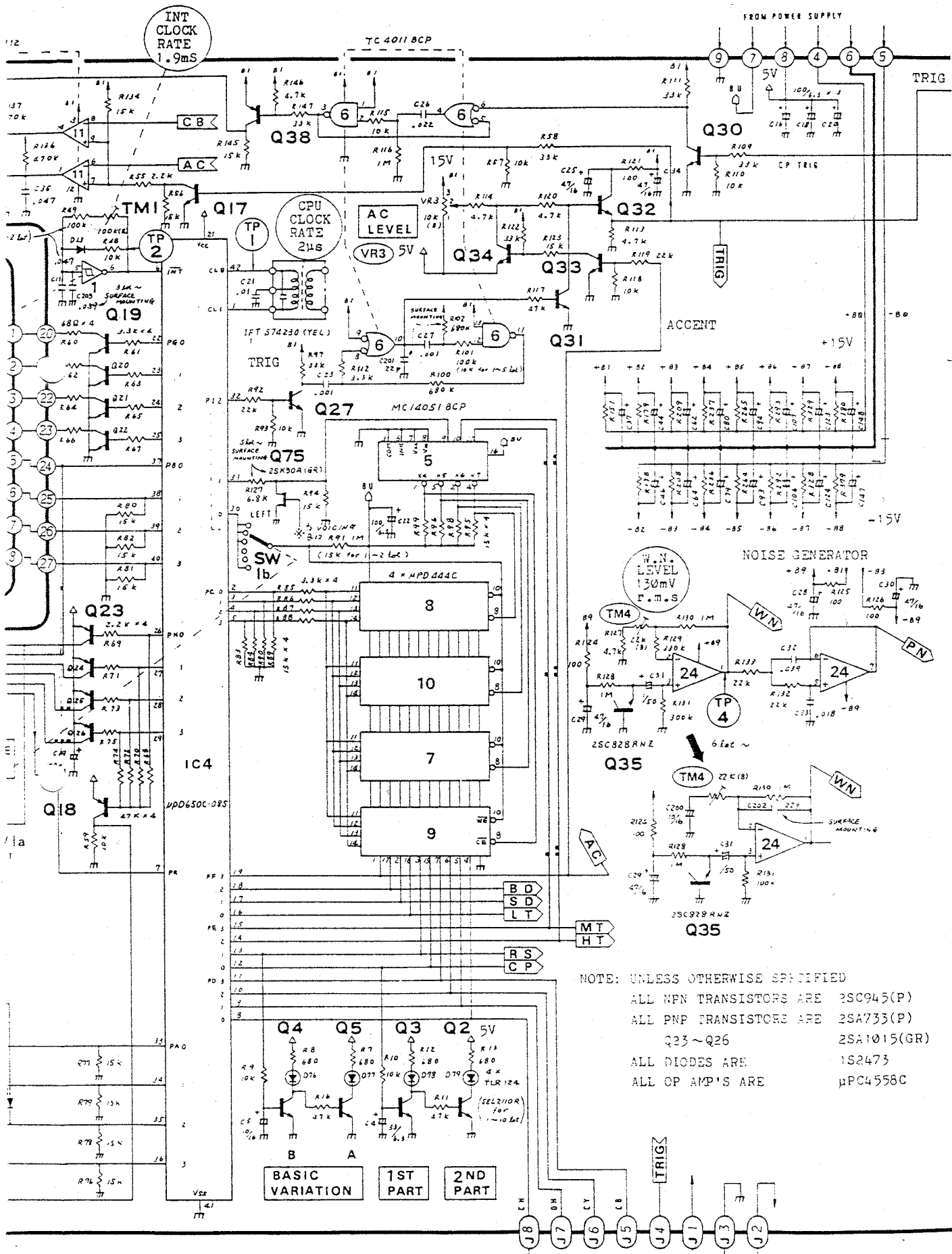
SW7

SW2

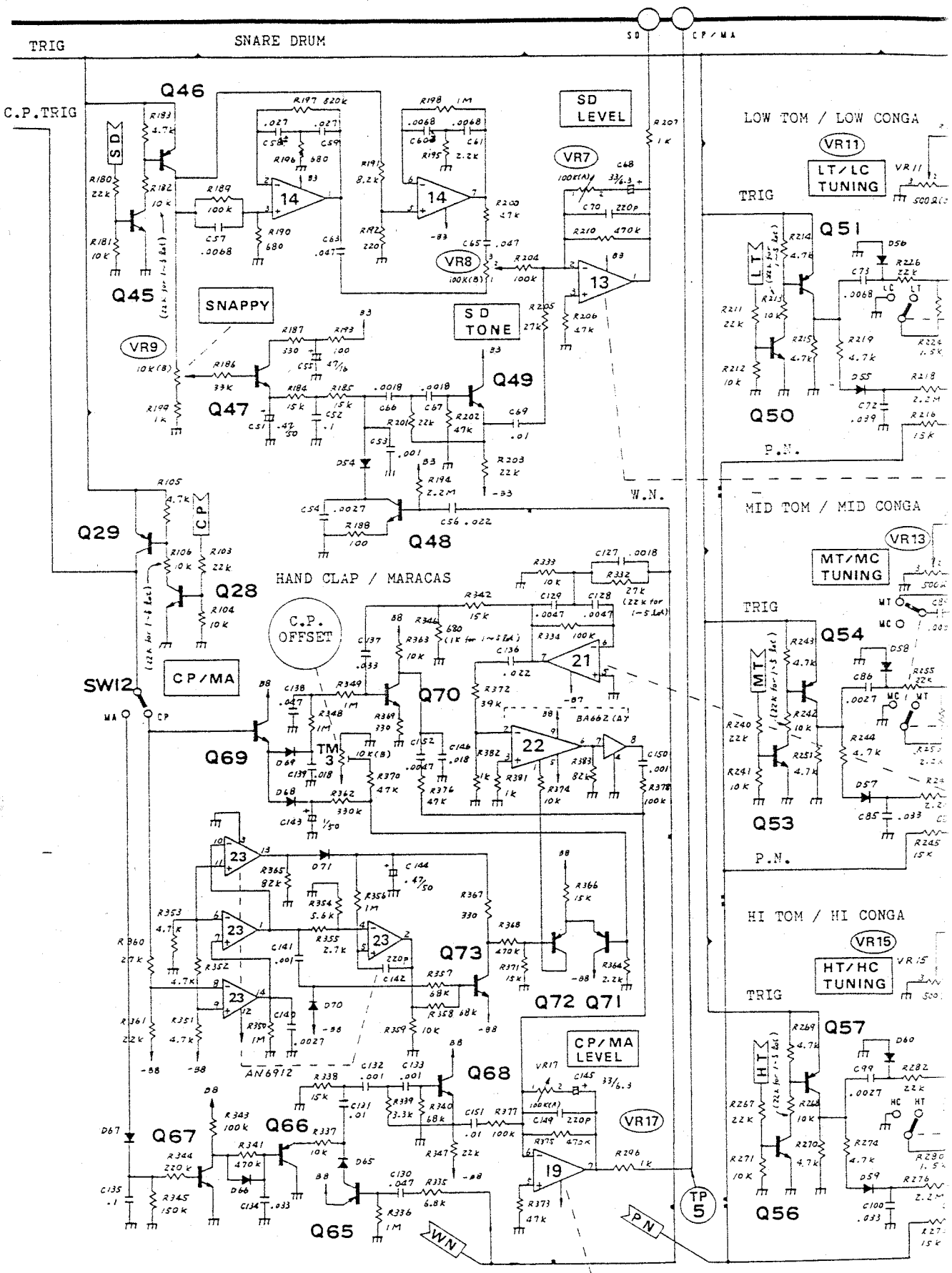
SW1a LEFT

1. START/STOP
 2. GND
 3. TEMPO CLOCK
 4. RESET/START
 5. FILL IN
- (REAR VIEW)

TC 4001BCP (P14 -5V, P7 -GND)



NOTE: UNLESS OTHERWISE SPECIFIED
 ALL NPN TRANSISTORS ARE 2SC945(P)
 ALL PNP TRANSISTORS ARE 2SA733(P)
 Q23~Q26 2SA1015(GR)
 ALL DIODES ARE 1S2473
 ALL OP AMP'S ARE µPC4558C



PORTION CHANGED

S D
 C58 .027 to .056
 C61 .0068 to .015
 R191 8.2k to 10k
 R200 47k to zero

C P
 10k(called R200) is
 connected across -15V
 line and Q70 emitter.

